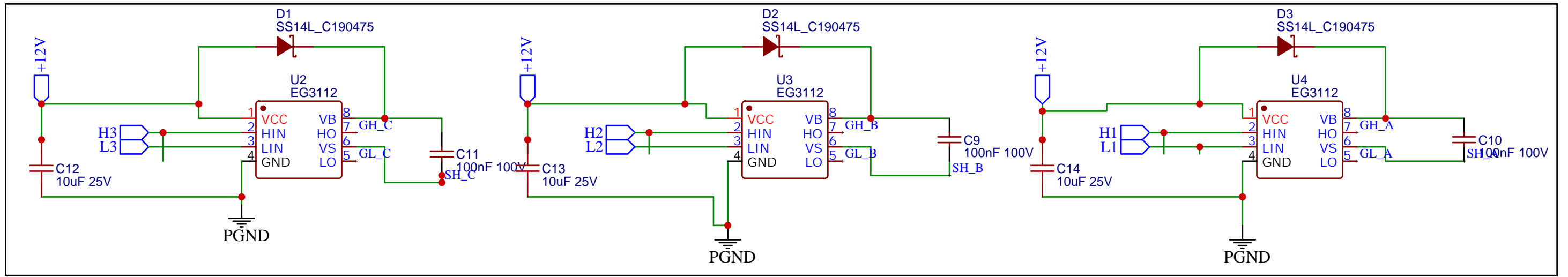
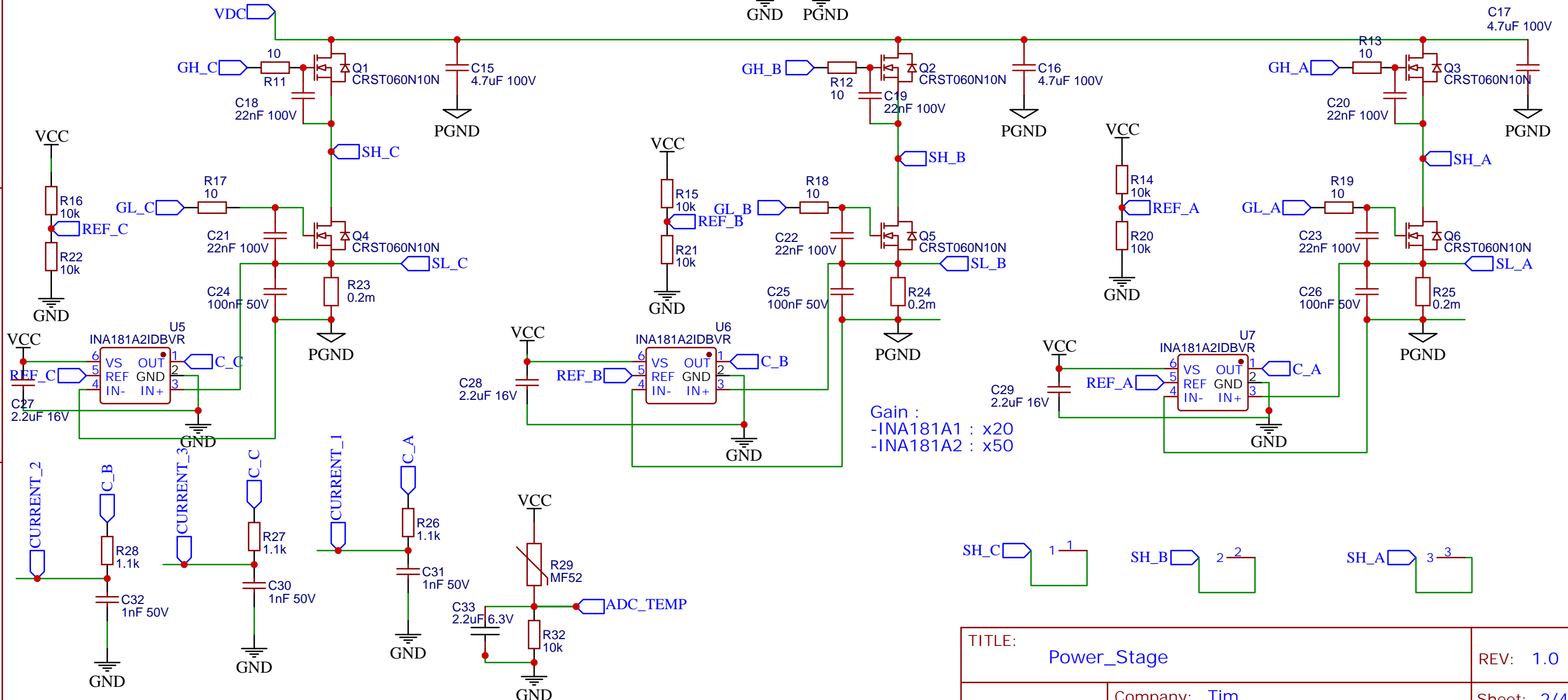
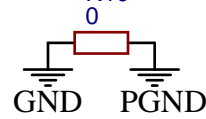


TITLE: MCU		REV: 1.0
	Company: Tim	Sheet: 1/4
	Date: 2023-02-04	Drawn By: Timothée

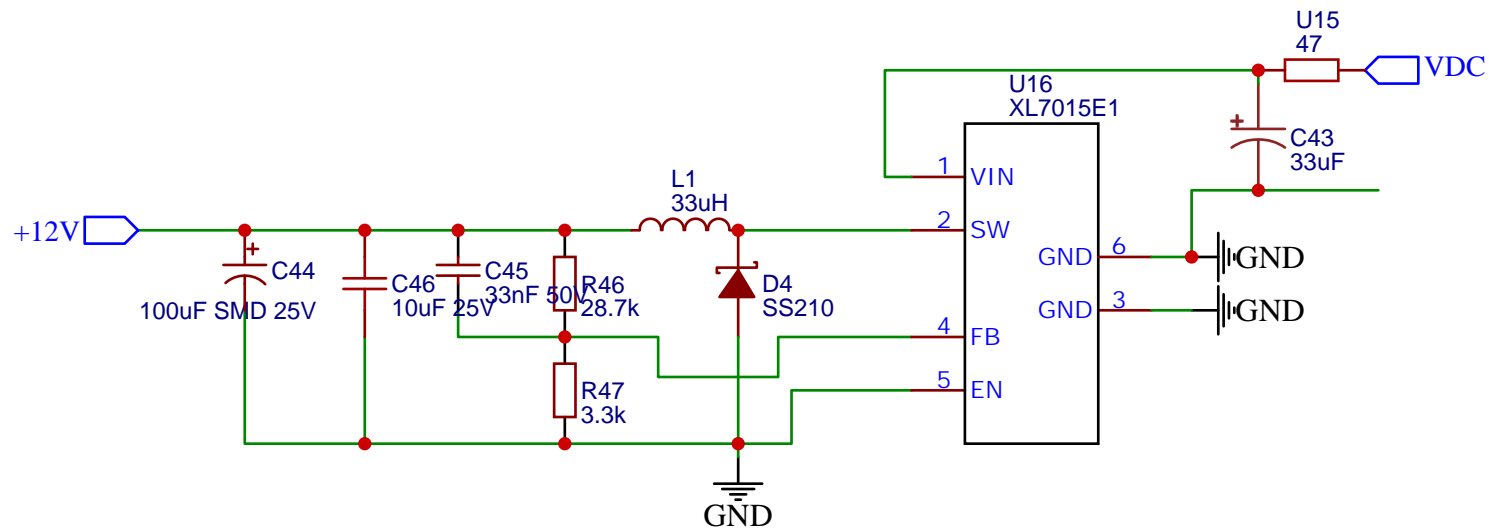
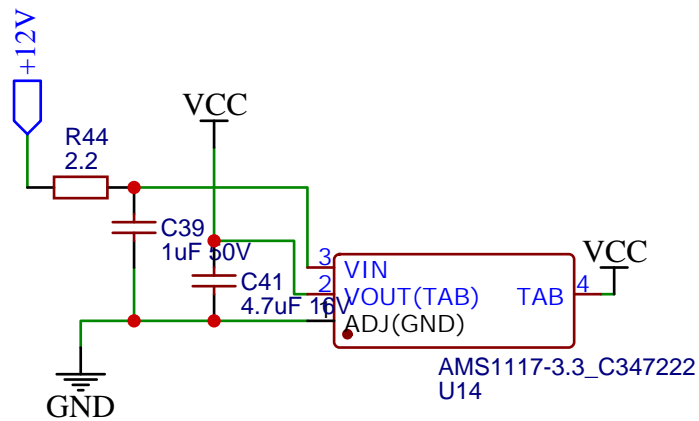
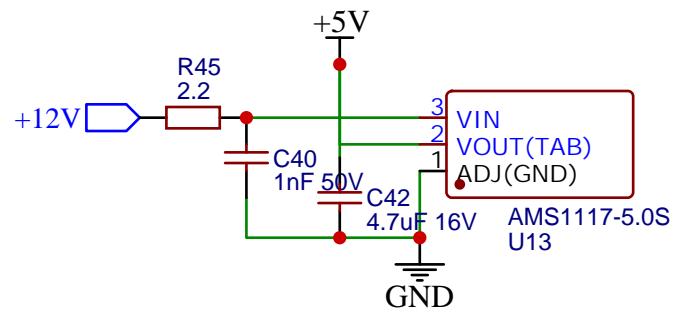


Gate drivers

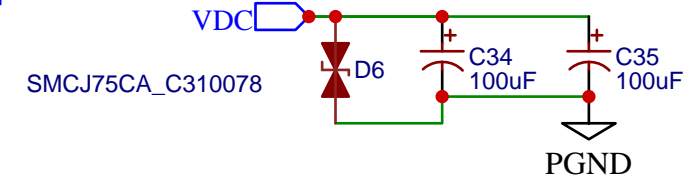


Gain :
-INA181A1 : x20
-INA181A2 : x50

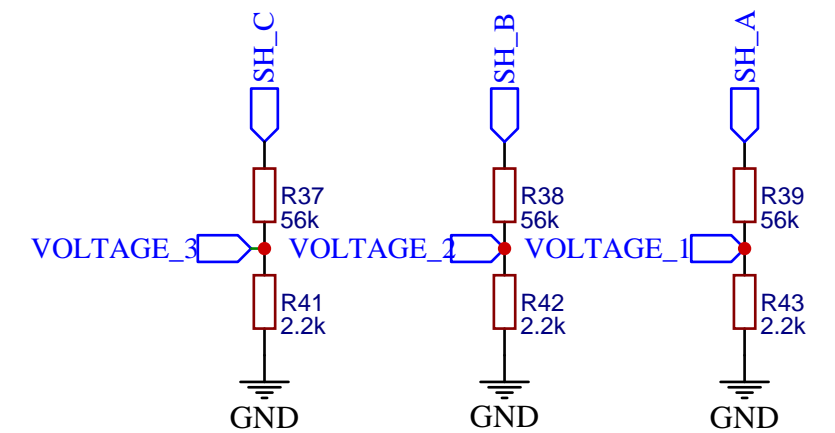
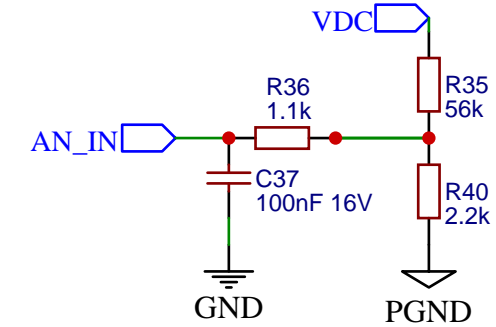
TITLE: Power_Stage		REV: 1.0
Company: Tim		Sheet: 2/4
Date: 2023-02-04 Drawn By: Timothée		



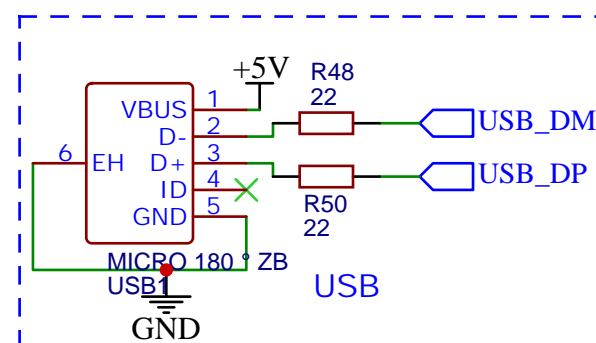
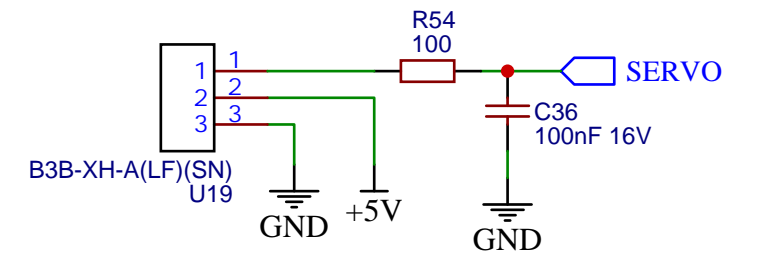
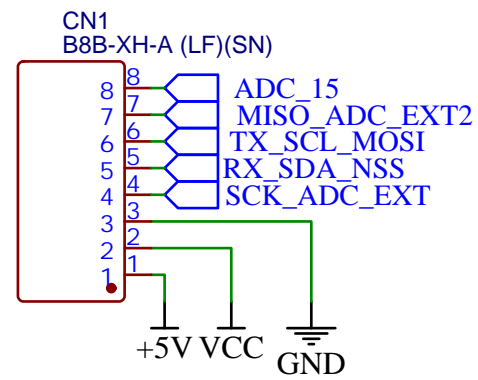
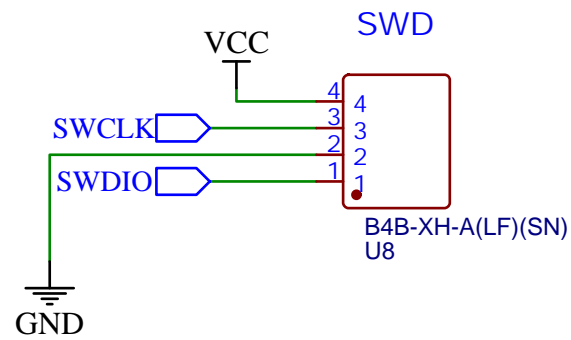
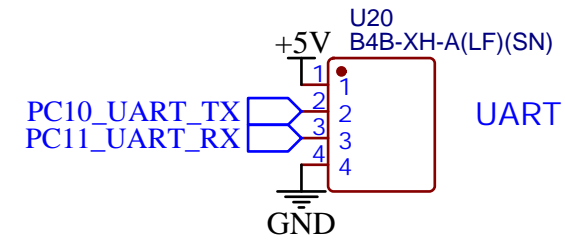
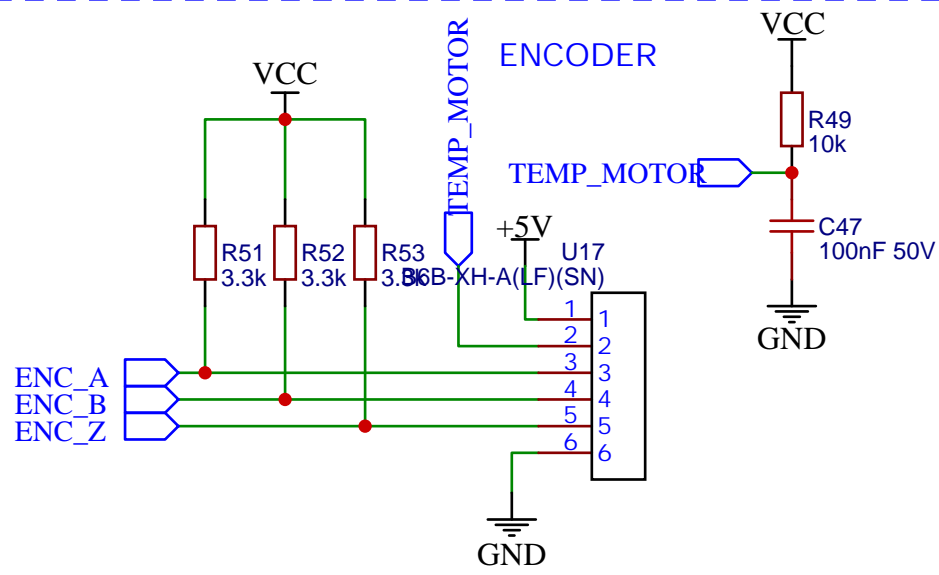
D6 : TVS Diode
 -V_{rw} = 75V
 -V_{br} = 83.30~92.10V
 -V_c = 121V
 -I_{pp} = 12.4A



More capacitors are added externally



TITLE: Power Supply		REV: 1.0
EasyEDA	Company: Tim	Sheet: 3/4
	Date: 2023-02-04	Drawn By: Timoth é e



TITLE: I/O		REV: 1.0
Company: Tim		Sheet: 4/4
Date: 2023-02-04		Drawn By: Timothée