

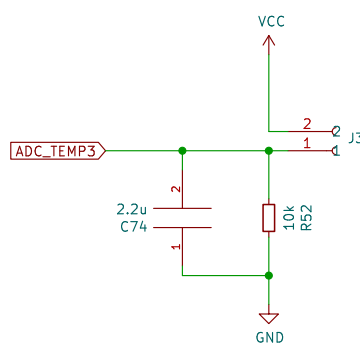
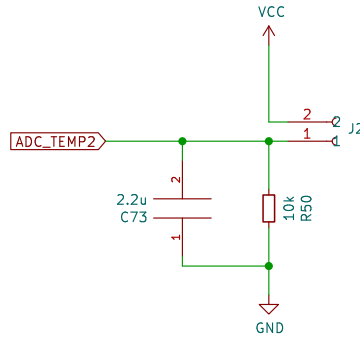
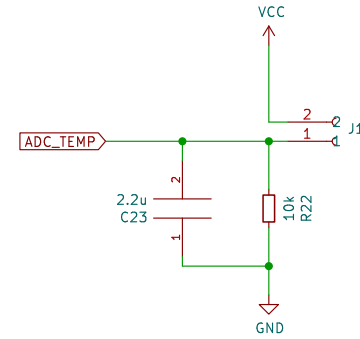
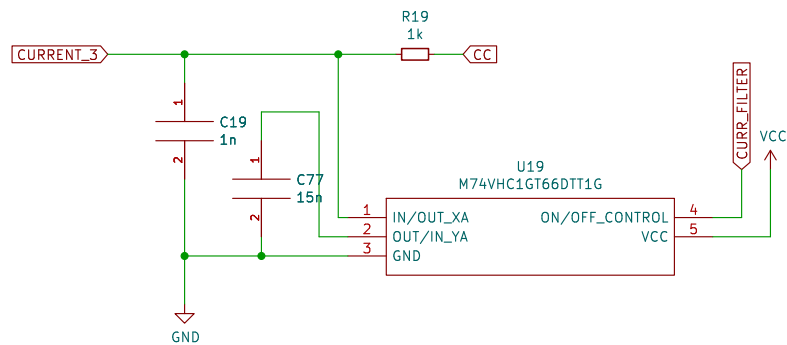
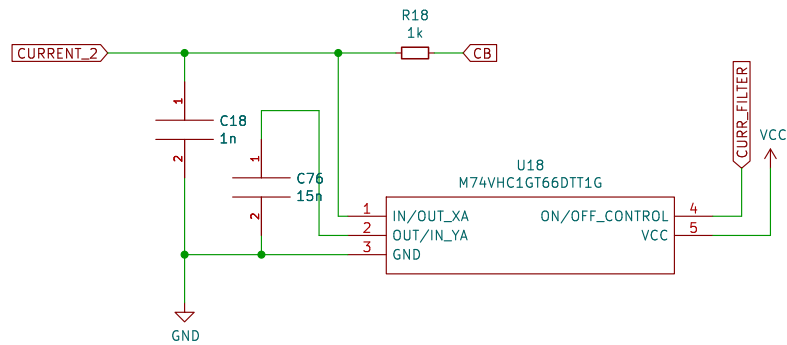
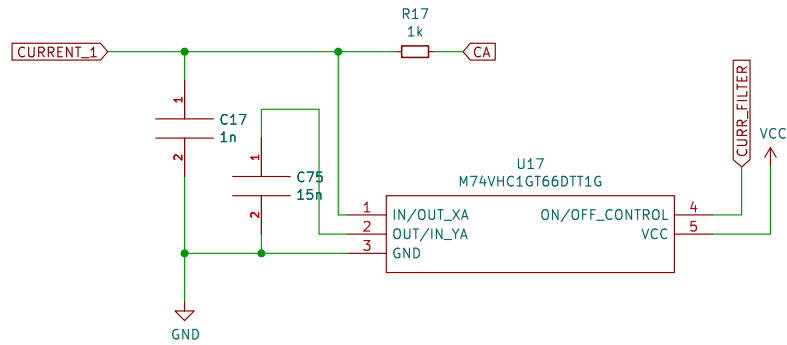
Sheet: /Power\_stage/  
File: Power\_stage.kicad\_sch

**Title:**

Size: A4  
KiCad E.D.A. - kicad 7.0.1

Date:

Rev:  
Id: 2/6



Sheet: /Power\_stage/Current\_filter/  
 File: Current\_filter.kicad\_sch

**Title:**

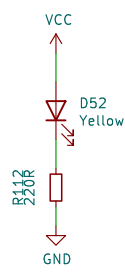
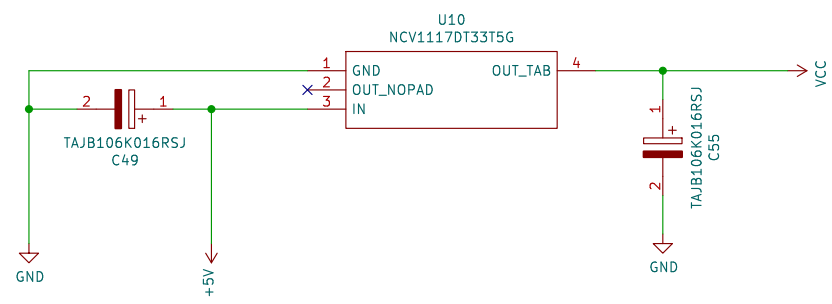
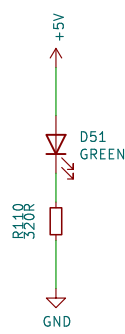
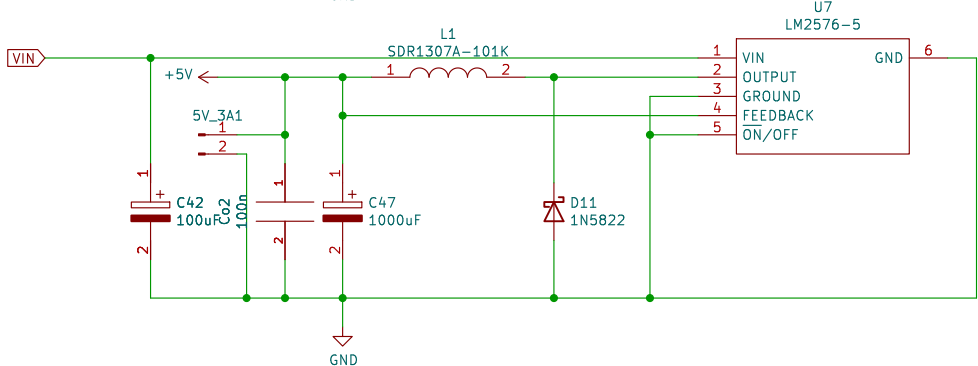
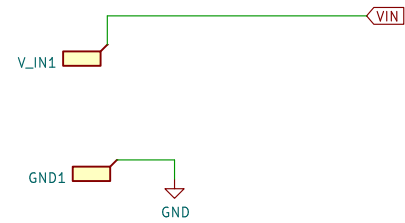
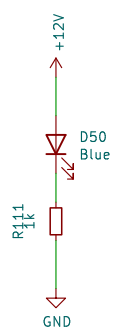
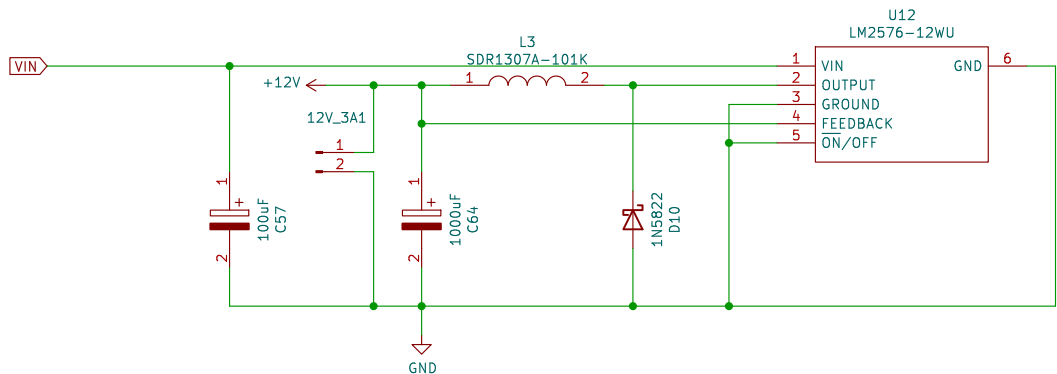
Size: A4

Date:

KiCad E.D.A. kicad 7.0.1

Rev:

Id: 3/6



Sheet: /DC-DC\_converter/  
 File: DC-DC\_converter.kicad\_sch

**Title:**

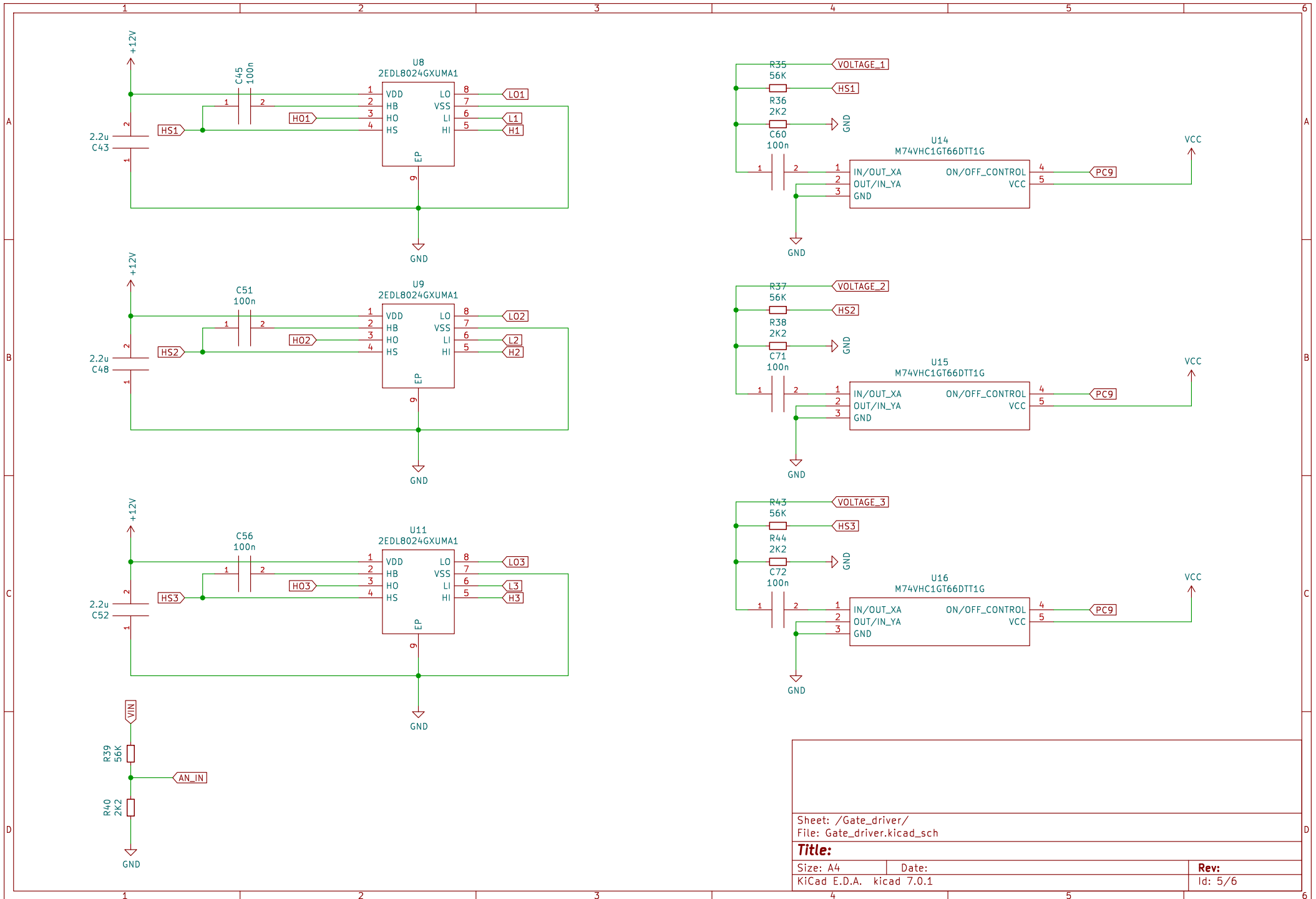
Size: A4

Date:

KiCad E.D.A. kicad 7.0.1

Rev:

Id: 4/6



Sheet: /Gate\_driver/  
 File: Gate\_driver.kicad\_sch

<b>Title:</b>	
Size: A4	Date:
KiCad E.D.A. kicad 7.0.1	Rev: Id: 5/6

	1	2	3	4	5	6
A						A
B						B
C						C
D						D
	1	2	3	4	5	6



Sheet: /BT_Module/			
File: BT_Module.kicad_sch			
<b>Title:</b>			
Size: A4	Date:		Rev:
KiCad E.D.A. kicad 7.0.1			Id: 6/6