

# BLDC PUMP



T Series



S Series



A Series

DC50F series has three sub-series. T series is common two phase series with general performance. S and A series are high performance sub-series, which we called three phase series. S series is speed fixed and A series is speed adjustable. Be note, all sub-series use common DC power supply.

## Main Features

- Brushless DC motor, also known as EC motor; Magnetic Driven;
- Small size but strong; Low consumption & High Efficiency;
- Long time continuous working, lifespan about 30000 hours;
- Safety - no spark, Explosion - proof; Low noise about 40dB;
- Submersible, 100% waterproof;
- Wide range of working voltage; Maintenance - free;
- Can be used to pump water, oil, acid and alkali solution;
- Variety Power: DC electric source, Battery or Solar Panel;
- Soft Start with Low in-rush current, great for Soalr SYS; (only S and A series)

## Specifications

Inlet (Outer diameter): 1/2 inch thread (about 20mm)

Outlet (Outer diameter): 1/2 inch thread (about 20mm)

Material: PA66 + 30% glass fiber (optional)

Weight: about 600 g

Max working temperature: 60°C for T series, 100°C for S & A series

Speed Control: Potentiometer, Analog signal or PWM (only A series)

Program Control or protection: Optional (only S & A series)

## Speed adjust & Control Box



Speed adjust way (only A series):

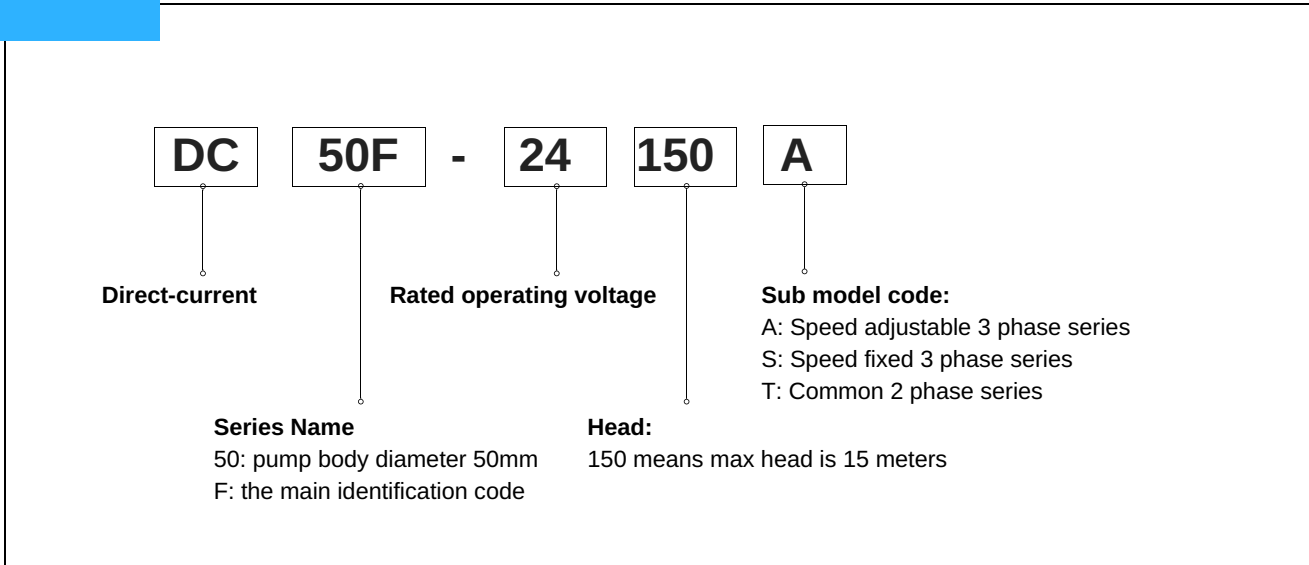
1. default: by potentiometer or 0-5V analog signal;
2. by PWM (50-800 HZ Amplitude 5V)

Connection: connect the black wire to ground lead and yellow wire to the signal of your system.

Hang the red wire in the air.

Three-phase DC pump controller (only S & A series): All electronic components are put inside of the control box, and separated from pump body, so pump body can bear higher hot water (100°C max)

## Model Code



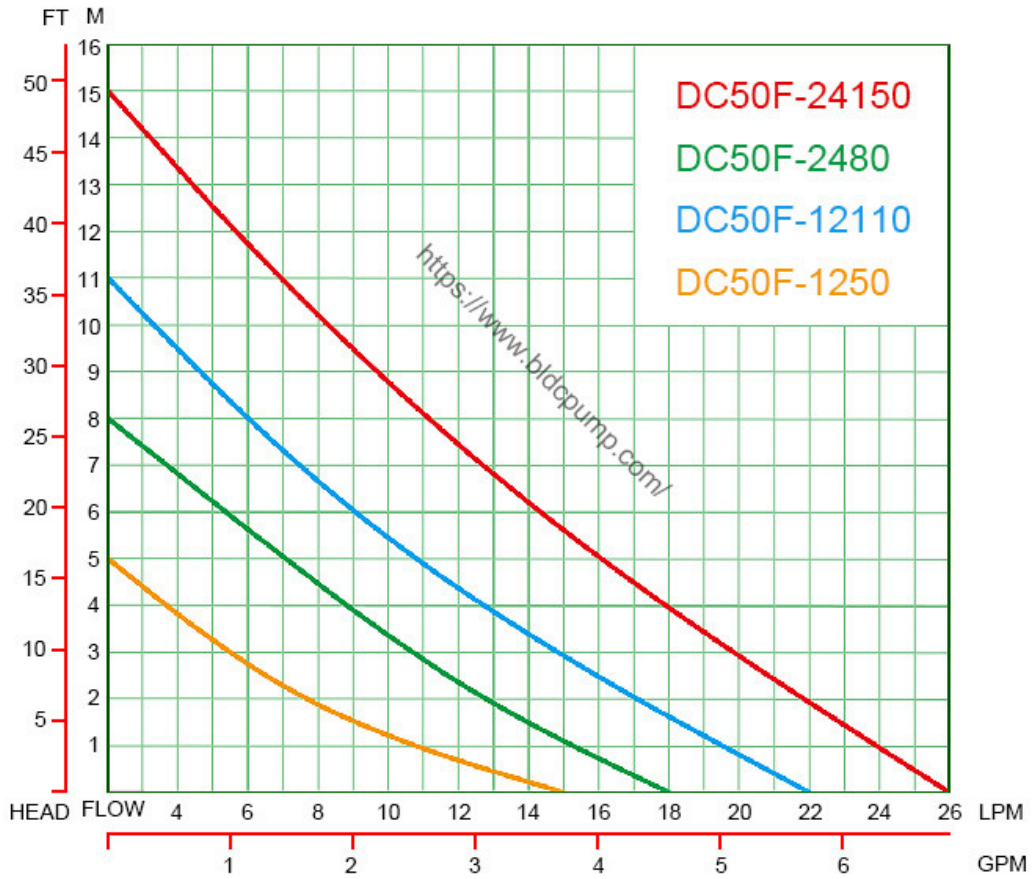
## Model List

Model	Voltage (V)	Current (A)	Max flow (L/H)	Max head (M)
DC50F-1250T DC50F-1250S DC50F-1250A	12	2.0	900	5
DC50F-12110S DC50F-12110A	12	4.5	1320	11
DC50F-2480T DC50F-2480S DC50F-2480A	24	2.0	1080	8
DC50F-24150S DC50F-24150A	24	3.6	1560	15

**Tips:**

We offer customized service according to your specific needs at a reasonable price.

# Performance Curve



# Dimensions

