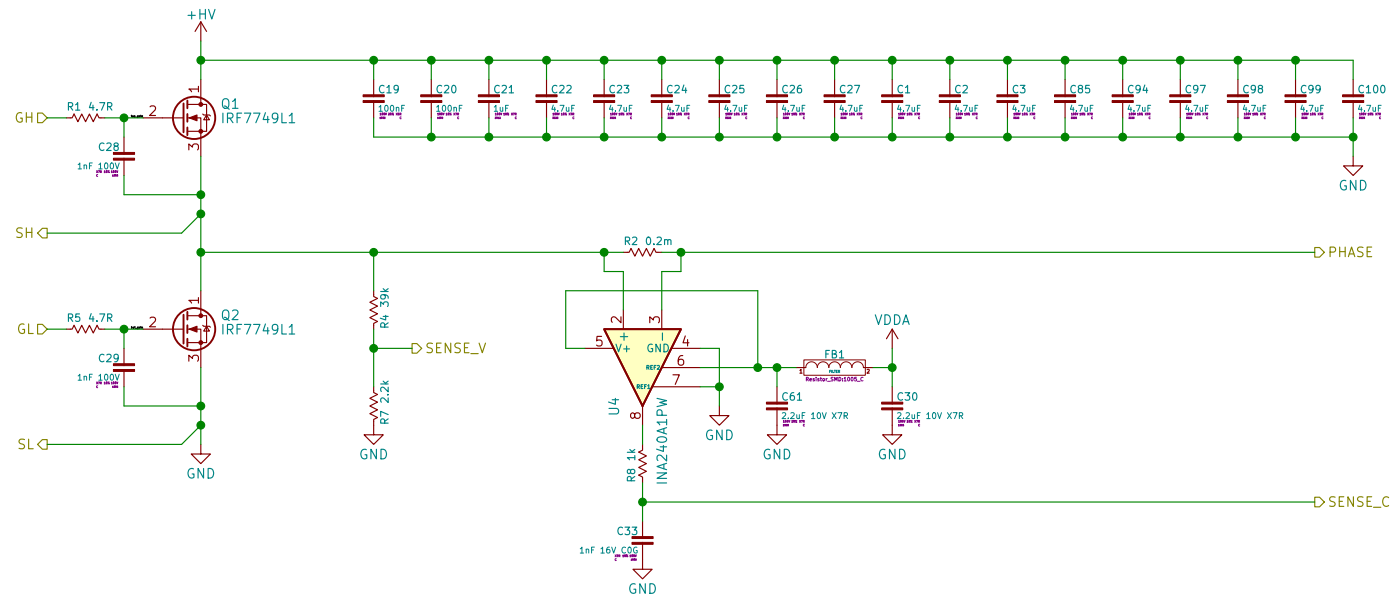
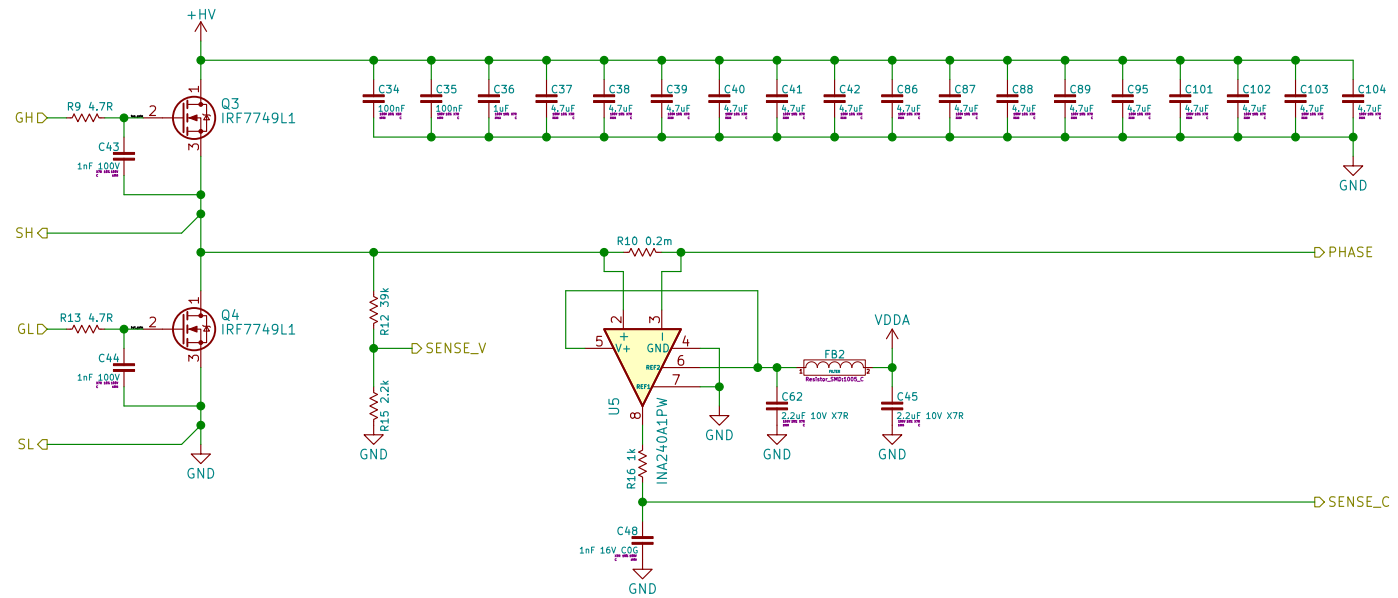


Notes:  
 1. Need to add support for the 'hush' feature: Silence the buck when sampling the ADC.  
 2. VDD is currently 3.4V as that buck was available  
 3. The original schematic terminates the CAN bus with 220R. This seems wrong. Find out more.  
 4. No ESD protection is added yet. Consider adding.

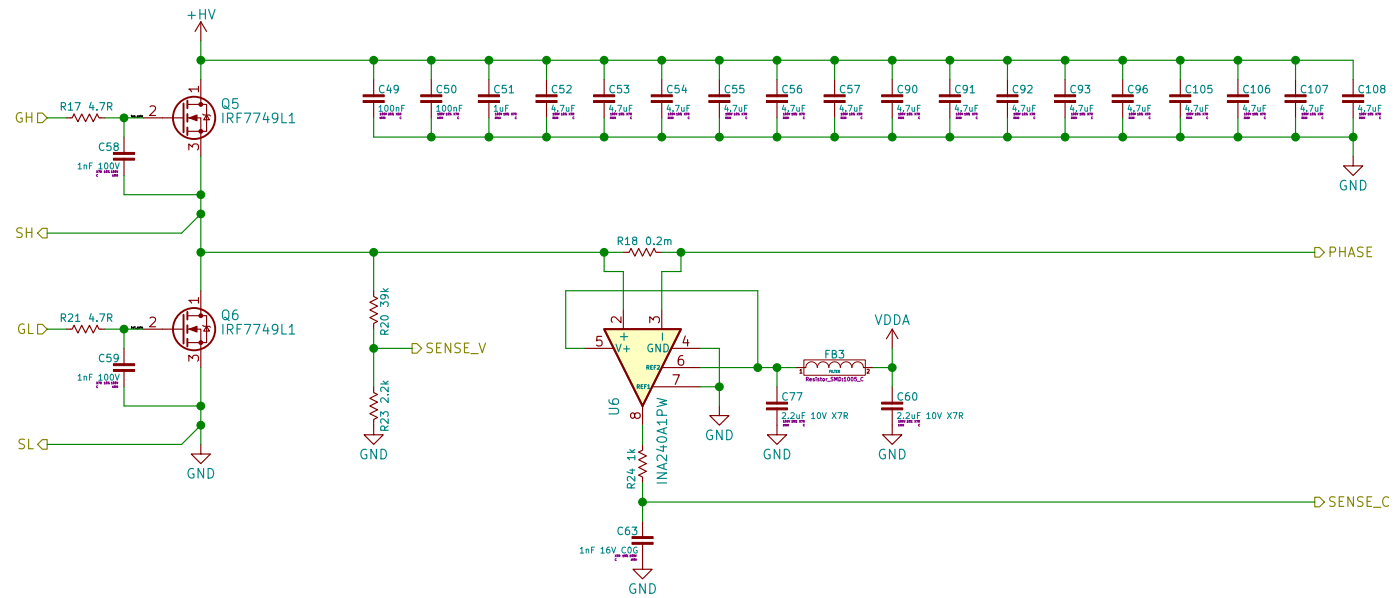


- Notes:
1. MOSFETs are Infineon DirectFET L8 package.
  2. Well-cooled there should be a pretty decent continuous current rating. Use NTC to verify. Target: min 20A, ideally 30A



Notes:

1. MOSFETs are Infineon DirectFET L8 package.
2. Well-cooled there should be a pretty decent continuous current rating. Use NTC to verify. Target: min 20A, ideally 30A



- Notes:
1. MOSFETs are Infineon DirectFET L8 package.
  2. Well-cooled there should be a pretty decent continuous current rating. Use NTC to verify. Target: min 20A, ideally 30A