

Sheet: /  
File: Space-Power.sch

**Title:**

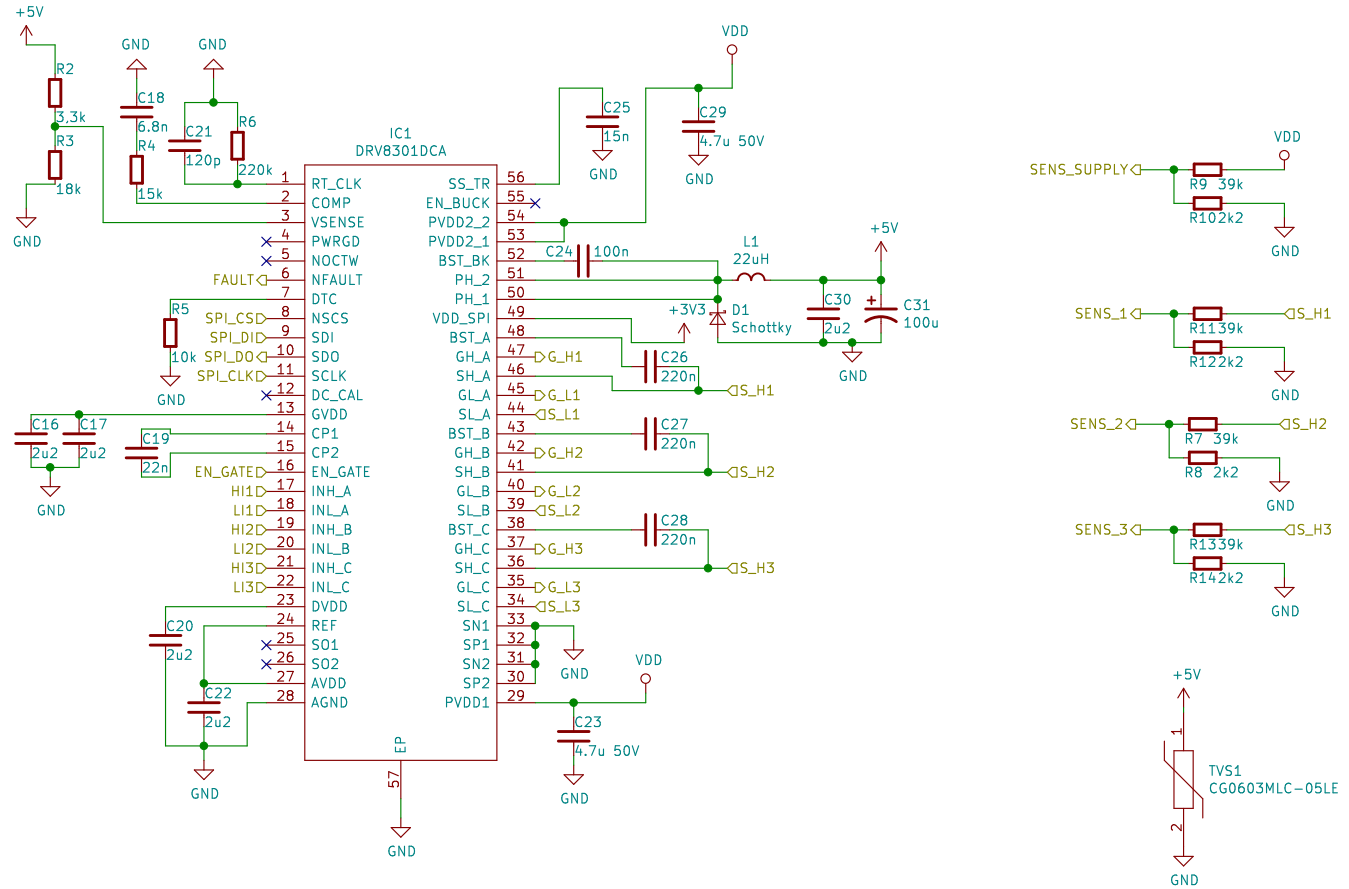
Size: A4

Date:

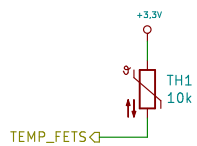
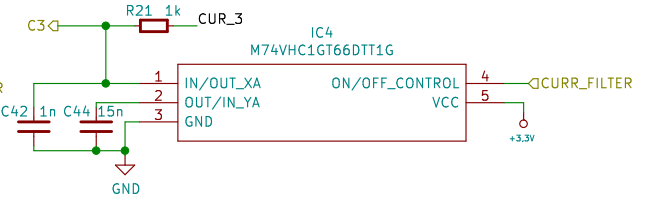
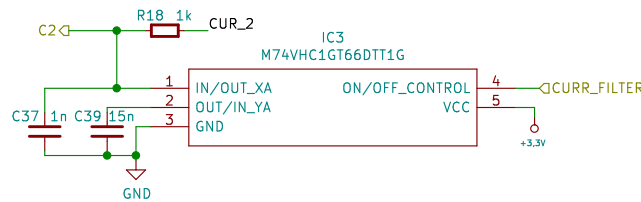
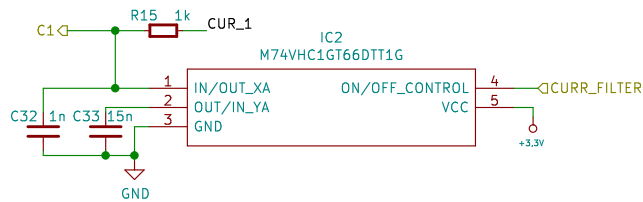
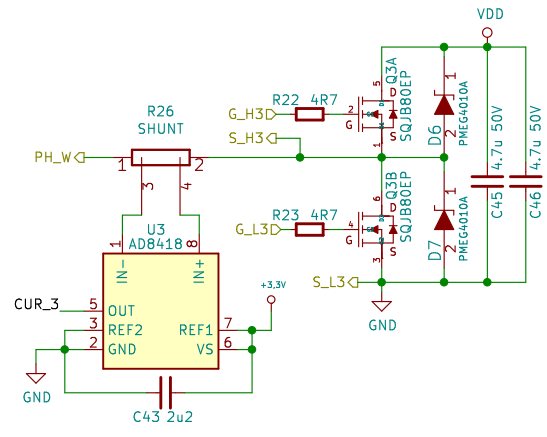
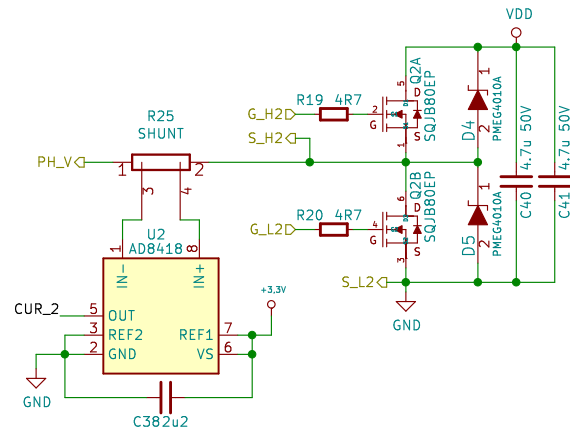
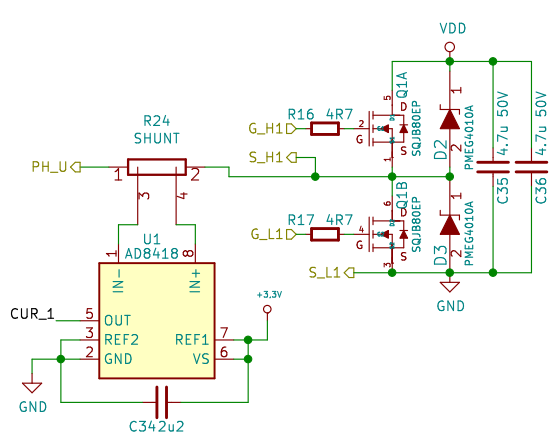
KiCad E.D.A. eeschema (5.1.2)-2

**Rev:**

Id: 1/3



Sheet: /driver/		Date:	
File: driver.sch		Rev:	
Size: A4	KiCad E.D.A. eeschema (5.1.2)-2		Id: 2/3



Sheet: /fets/  
File: fets.sch

**Title:**

Size: A4

Date:

KiCad E.D.A. eeschema (5.1.2) - 2

**Rev:**

Id: 3/3