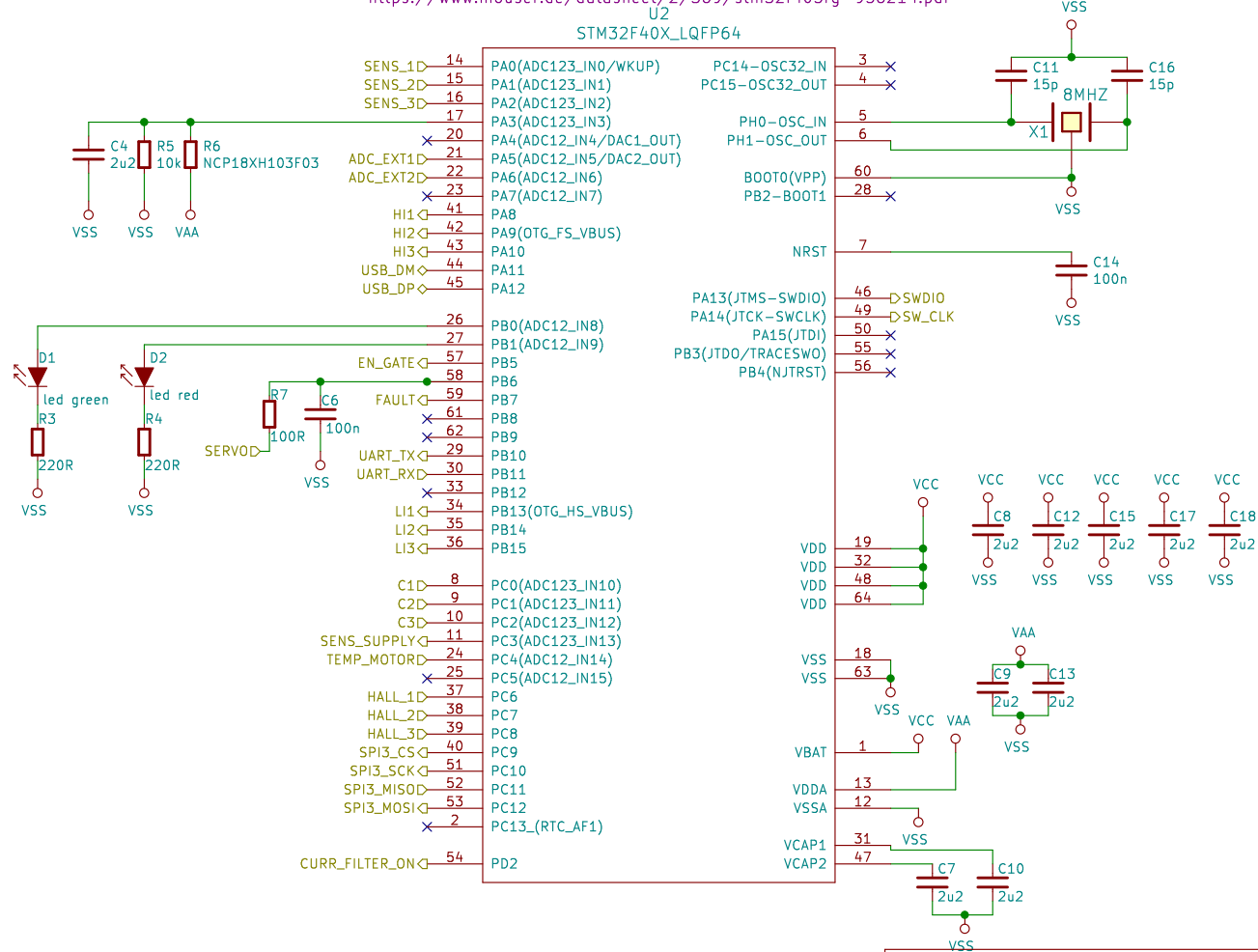


| | |
|---------------------------------|--------------|
| Sheet: / | |
| File: Space-VESC.sch | |
| Title: | |
| Size: A4 | Date: |
| KiCad E.D.A. eeschema (5.1.2)-2 | Rev: Id: 1/2 |

<https://www.mouser.de/datasheet/2/389/stm32f405rg-956214.pdf>



Sheet: /mcu/
File: mcu.sch

Title:

Size: A4 Date:

KiCad E.D.A. eeschema (5.1.2)-2

Rev:

Id: 2/2