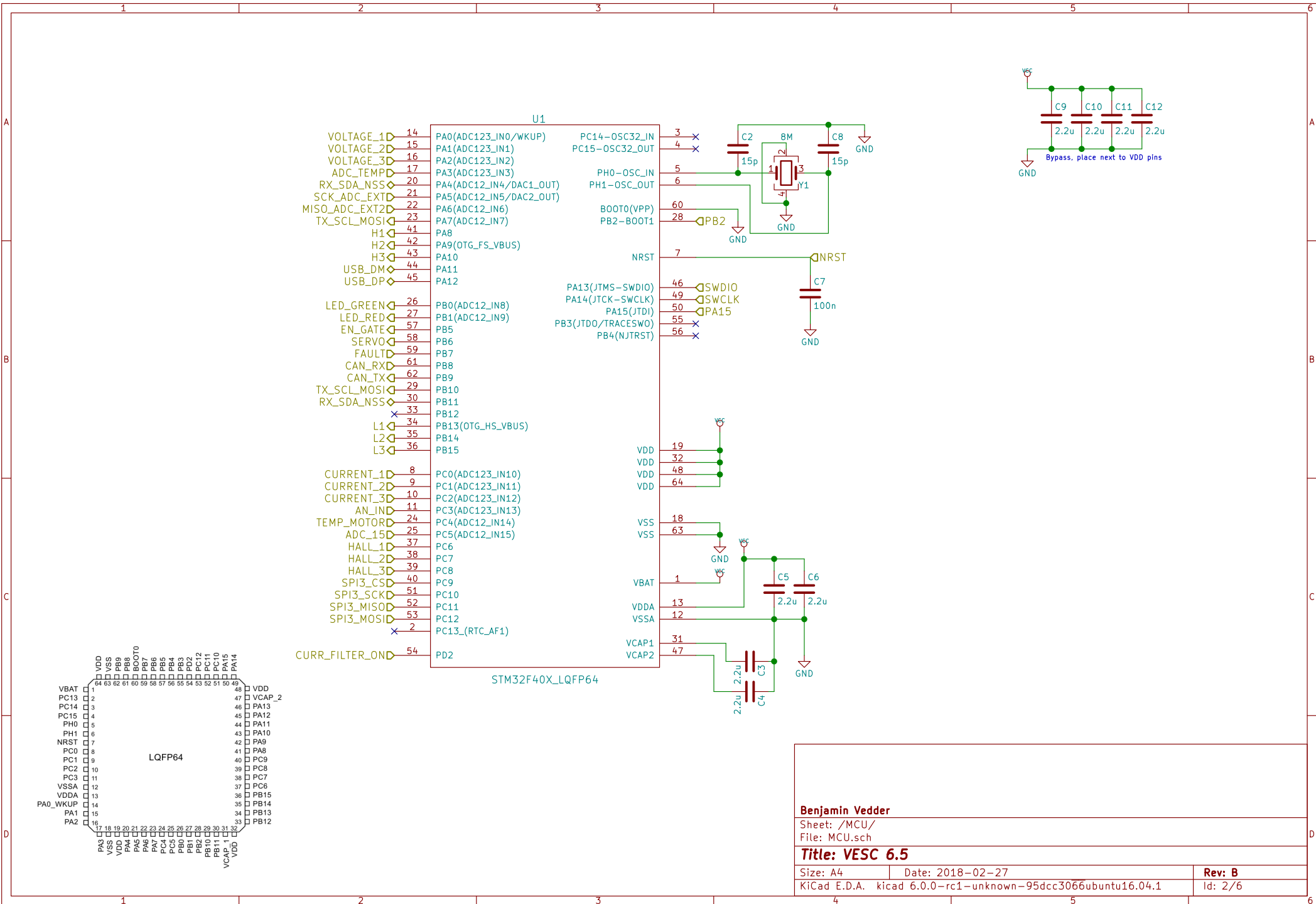


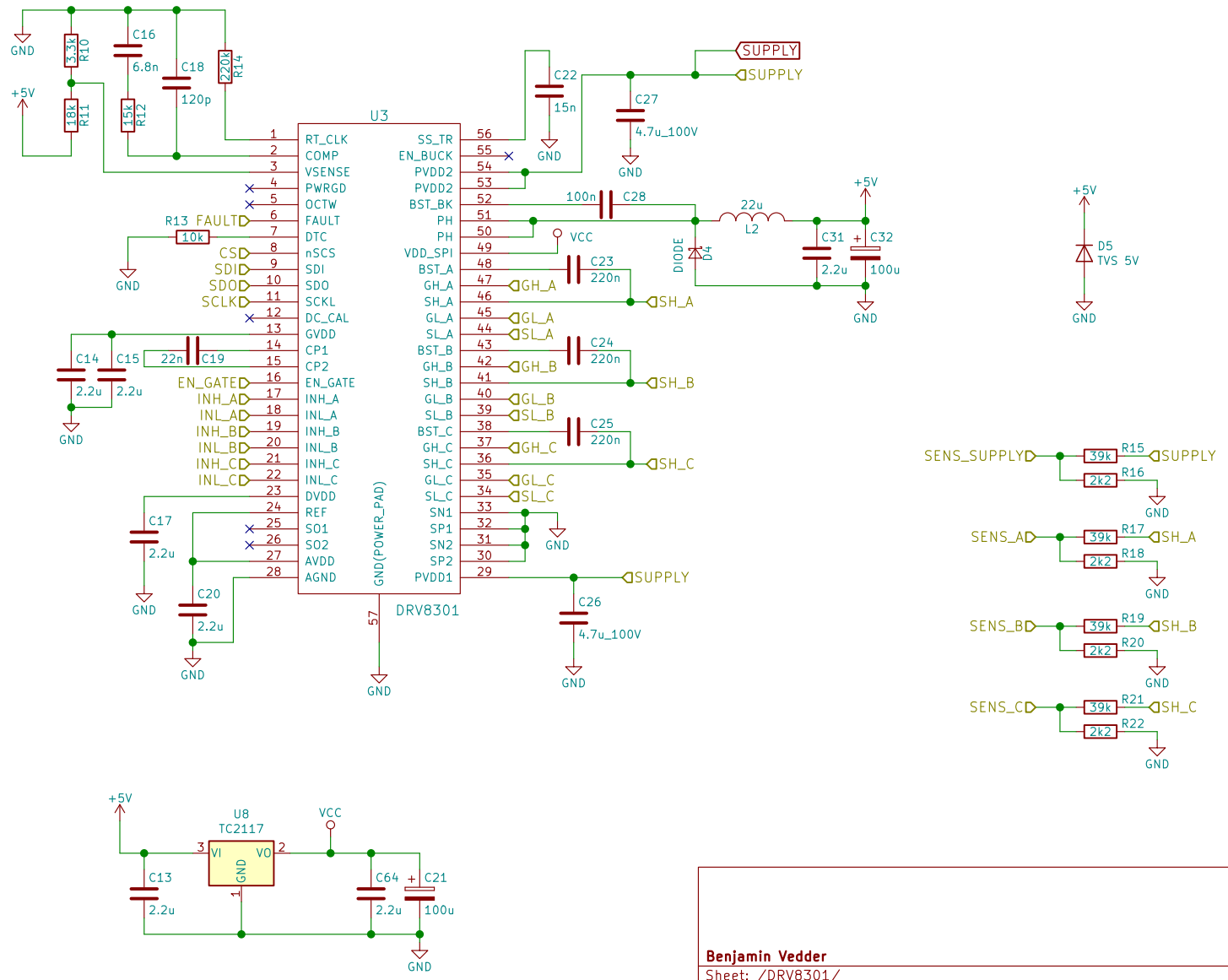
PWR\_FLAG ◊ → SUPPLY  
 PWR\_FLAG ◊ → +5V  
 PWR\_FLAG ◊ → VCC  
 PWR\_FLAG ◊ → GND

×1 J4 HOLE  
 ×1 J5 HOLE

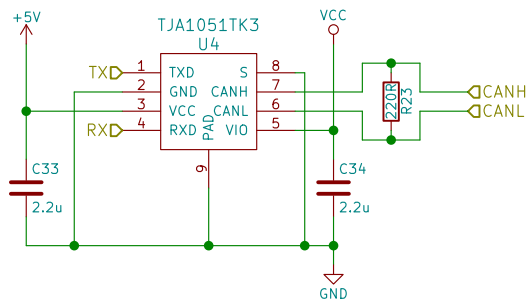
<b>Benjamin Vedder</b>	
Sheet: /	
File: VESC_6.sch	
<b>Title: VESC 6.5</b>	
Size: A4	Date: 2018-02-27
KiCad E.D.A. kicad 6.0.0-rc1-unknown-95dcc3066ubuntu16.04.1	Rev: B
	Id: 1/6



<b>Benjamin Vedder</b>	
Sheet: /MCU/	
File: MCU.sch	
<b>Title: VESC 6.5</b>	
Size: A4	Date: 2018-02-27
KiCad E.D.A. kicad 6.0.0-rc1-unknown-95dcc3066ubuntu16.04.1	
Rev: B	
Id: 2/6	



**Benjamin Vedder**  
 Sheet: /DRV8301/  
 File: DRV8301.sch  
**Title: VESC 6.5**  
 Size: A4 Date: 2018-02-27 Rev: B  
 KiCad E.D.A. kicad 6.0.0-rc1-unknown-95dcc3066ubuntu16.04.1 Id: 3/6



**Benjamin Vedder**

Sheet: /CAN/

File: CAN.sch

**Title: VESC 6.5**

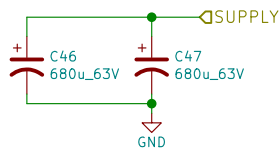
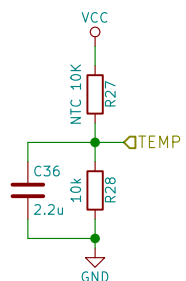
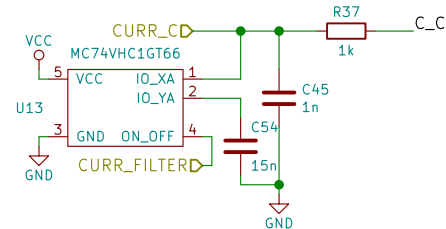
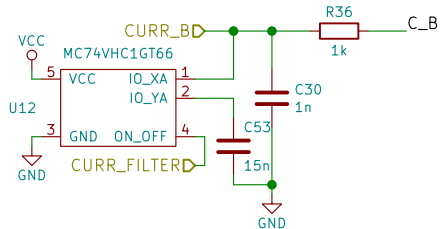
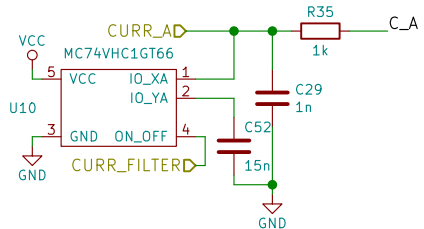
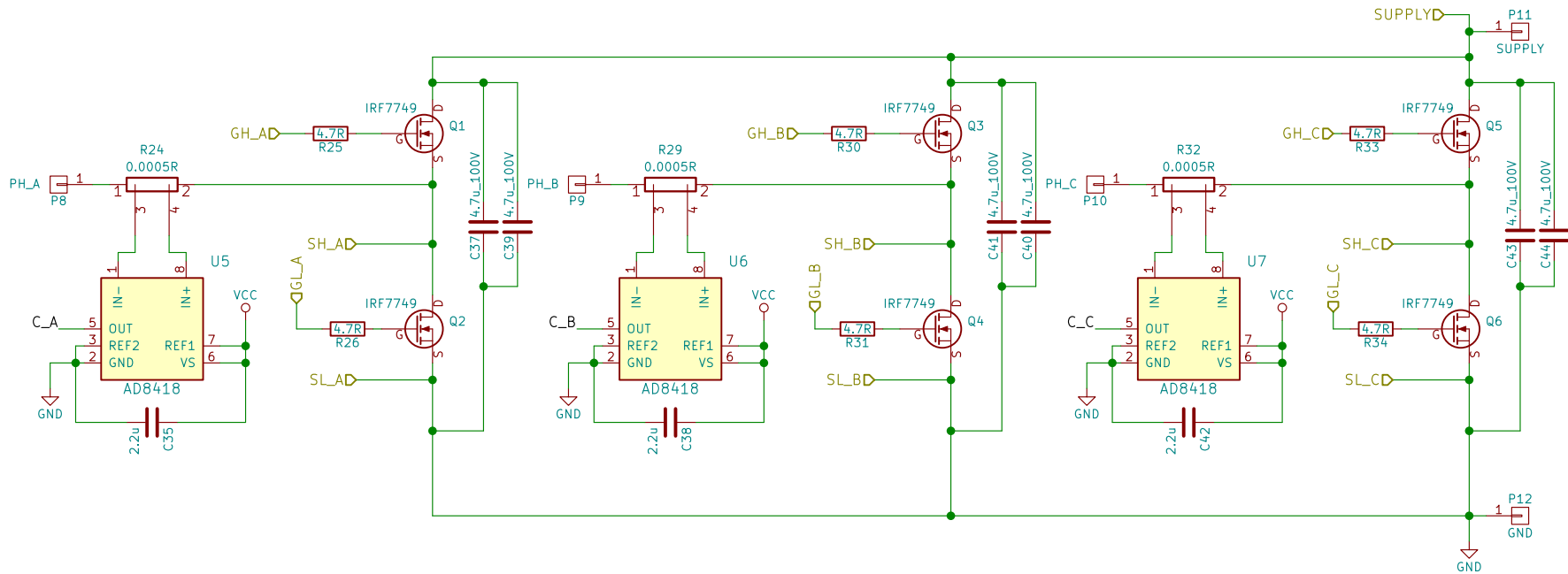
Size: A4

Date: 2018-02-27

Rev: B

KiCad E.D.A. kicad 6.0.0-rc1-unknown-95dcc3066ubuntu16.04.1

Id: 4/6



Benjamin Vedder

Sheet: /Power/  
File: Power.sch

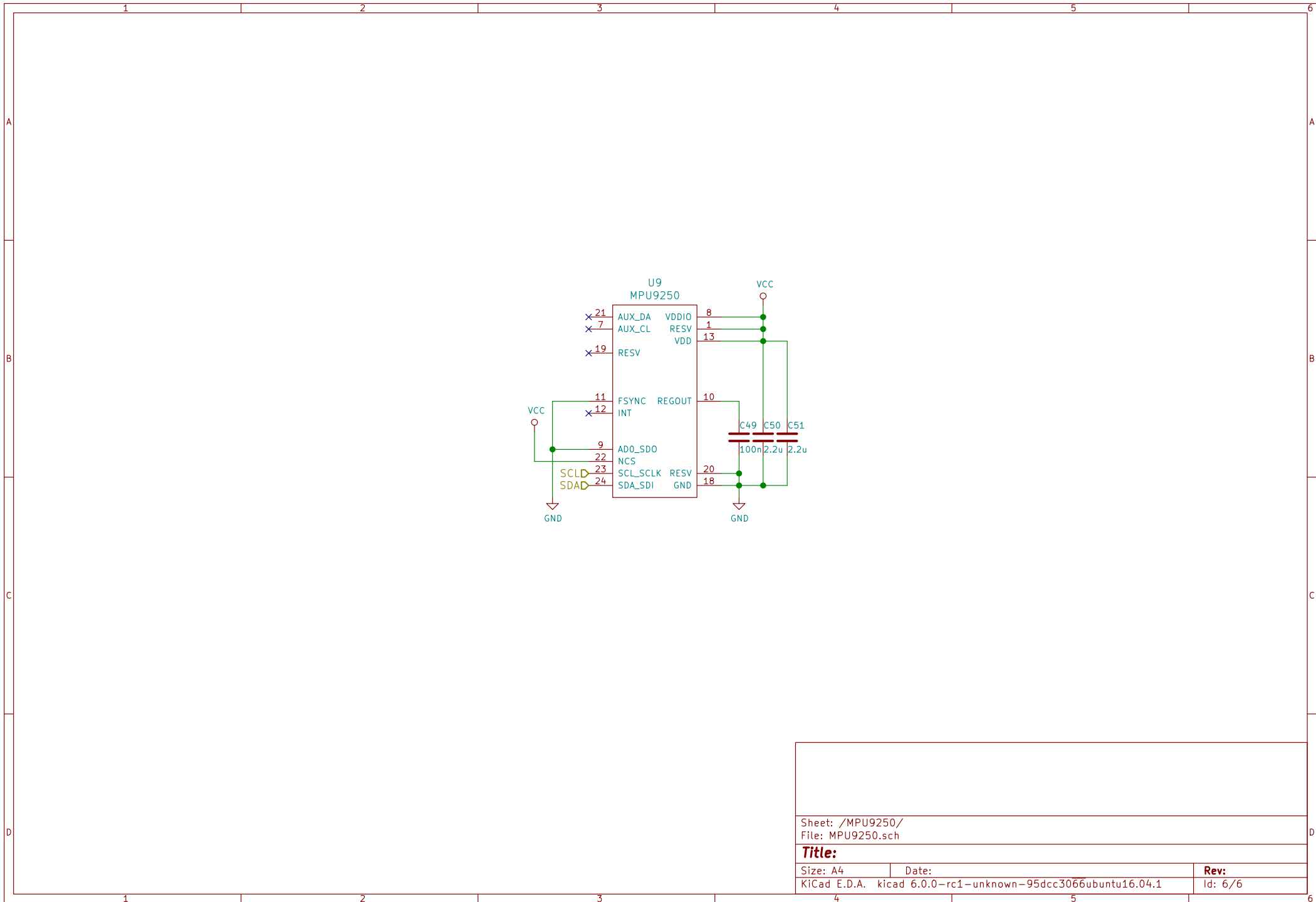
Title: VESC 6.5

Size: A4 Date: 2018-02-27

KiCad E.D.A. kicad 6.0.0-rc1-unknown-95dcc3066ubuntu16.04.1

Rev: B

Id: 5/6



Sheet: /MPU9250/  
 File: MPU9250.sch

**Title:**

Size: A4

Date:

Rev:

KiCad E.D.A. kicad 6.0.0-rc1-unknown-95dcc3066ubuntu16.04.1

Id: 6/6