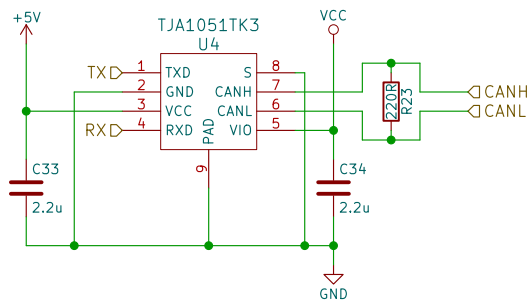


Benjamin Vedder	
Sheet: /	
File: VESC_6.kicad_sch	
Title: VESC 6 MK5	
Size: A4	Date: 2020-12-09
KiCad E.D.A. kicad 5.99.0-unknown-59527dff2106ubuntu20.04.1	Rev: c
	Id: 1/6



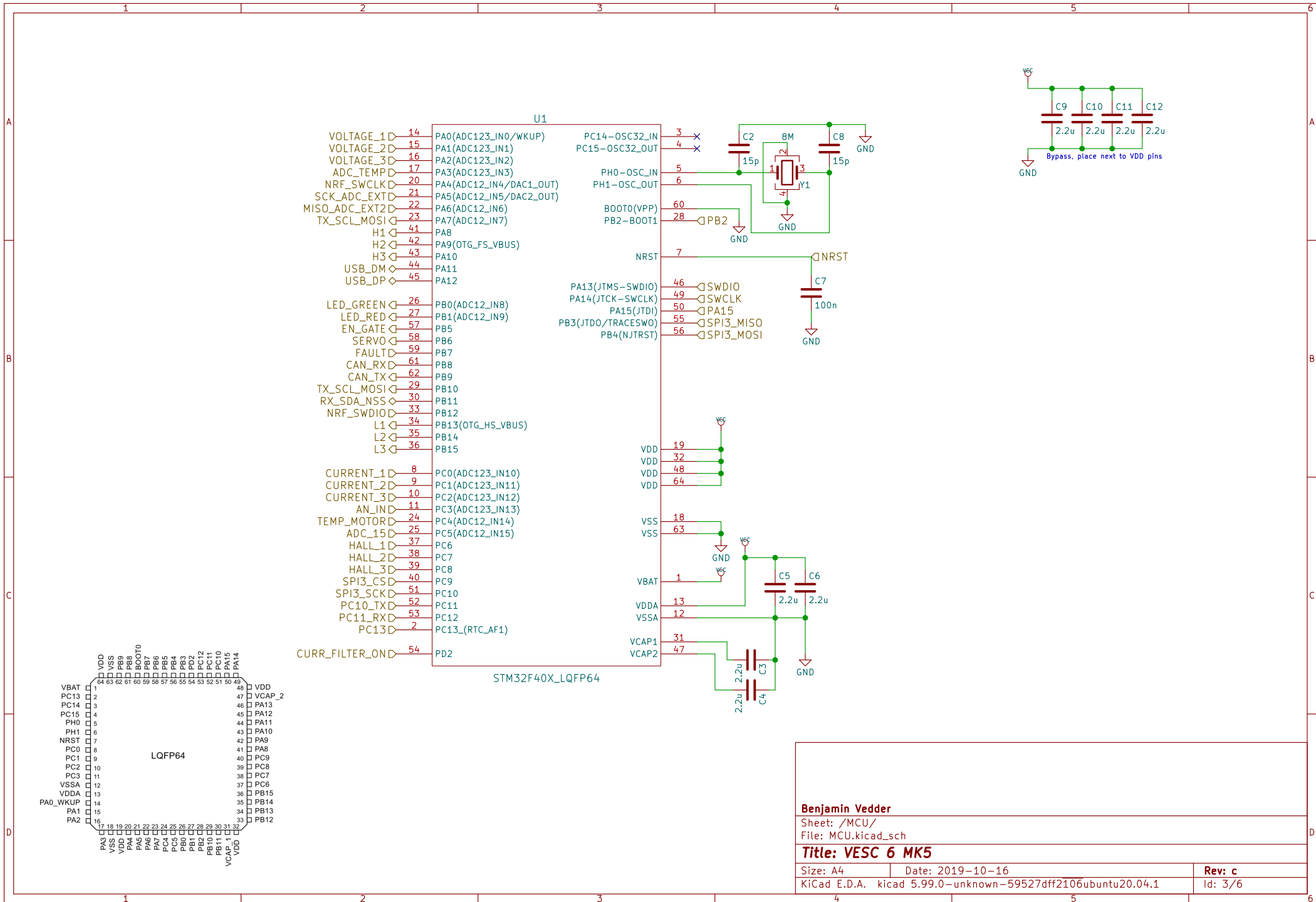
Benjamin Vedder

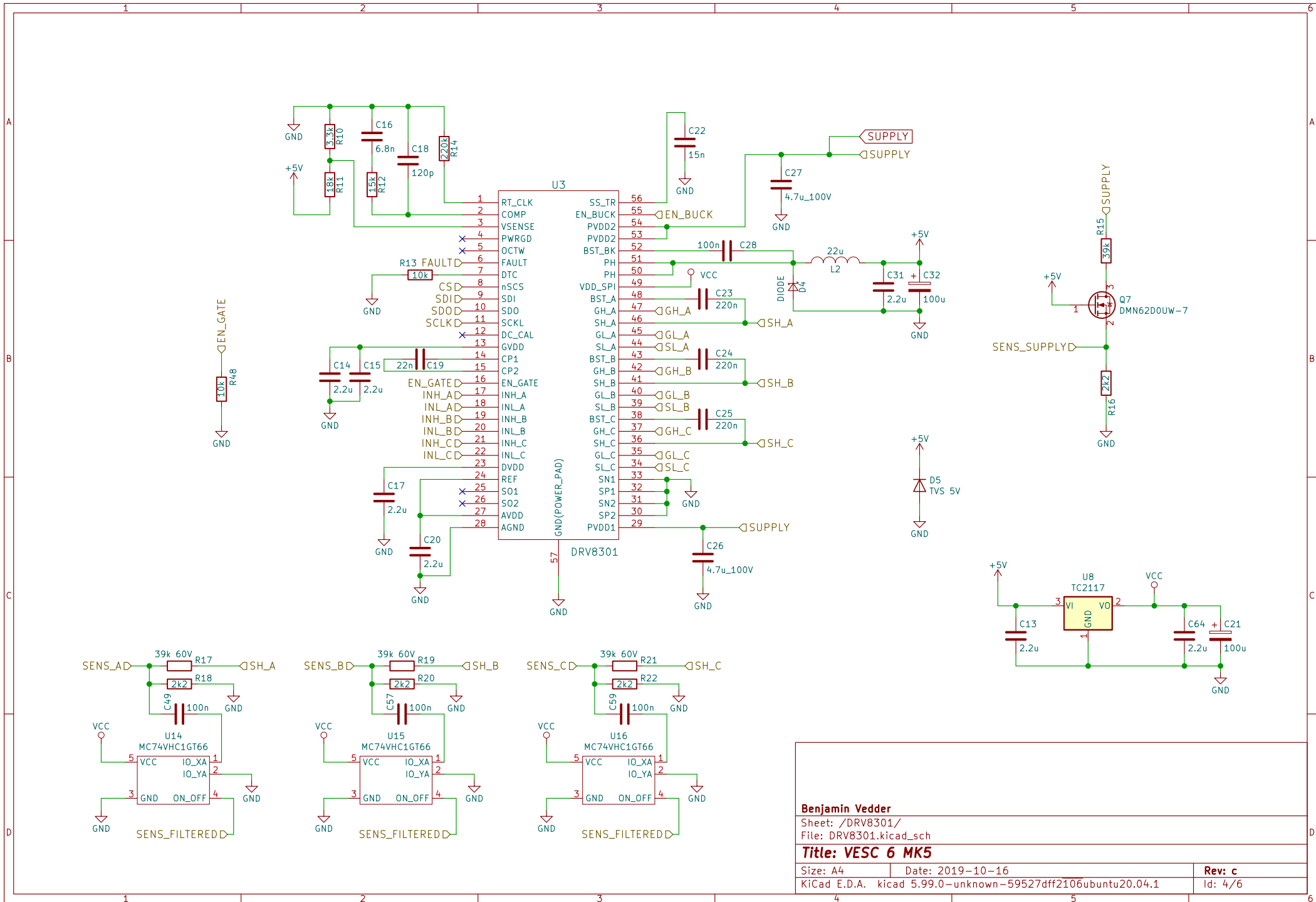
Sheet: /CAN/
File: CAN.kicad_sch

Title: VESC 6 MK5

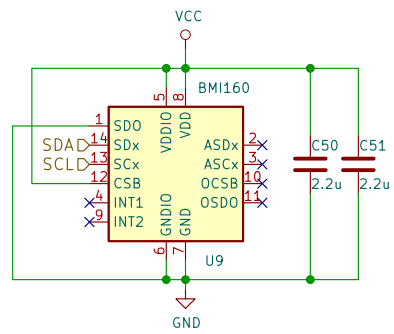
Size: A4 Date: 2019-10-16
KiCad E.D.A. kicad 5.99.0-unknown-59527dff2106ubuntu20.04.1

Rev: c
Id: 2/6





Benjamin Vedder	
Sheet: /DRV8301/	
File: DRV8301.kicad_sch	
Title: VESC 6 MK5	
Size: A4	Date: 2019-10-16
KiCad E.D.A. kicad 5.99.0-unknown-59527dff2106ubuntu20.04.1	Rev: c
	Id: 4/6



Benjamin Vedder

Sheet: /BMI160/

File: BMI160.kicad_sch

Title: VESC 6 MK5

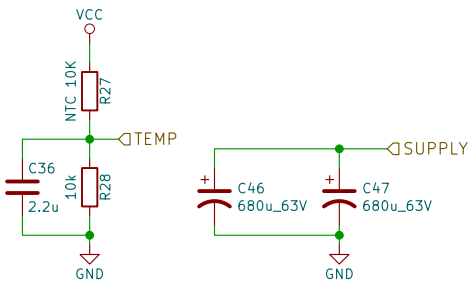
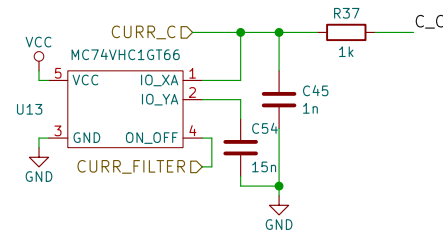
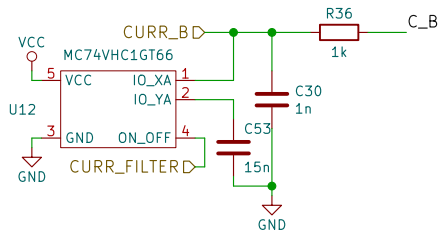
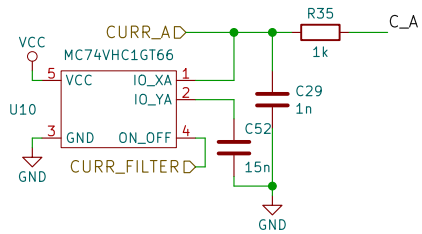
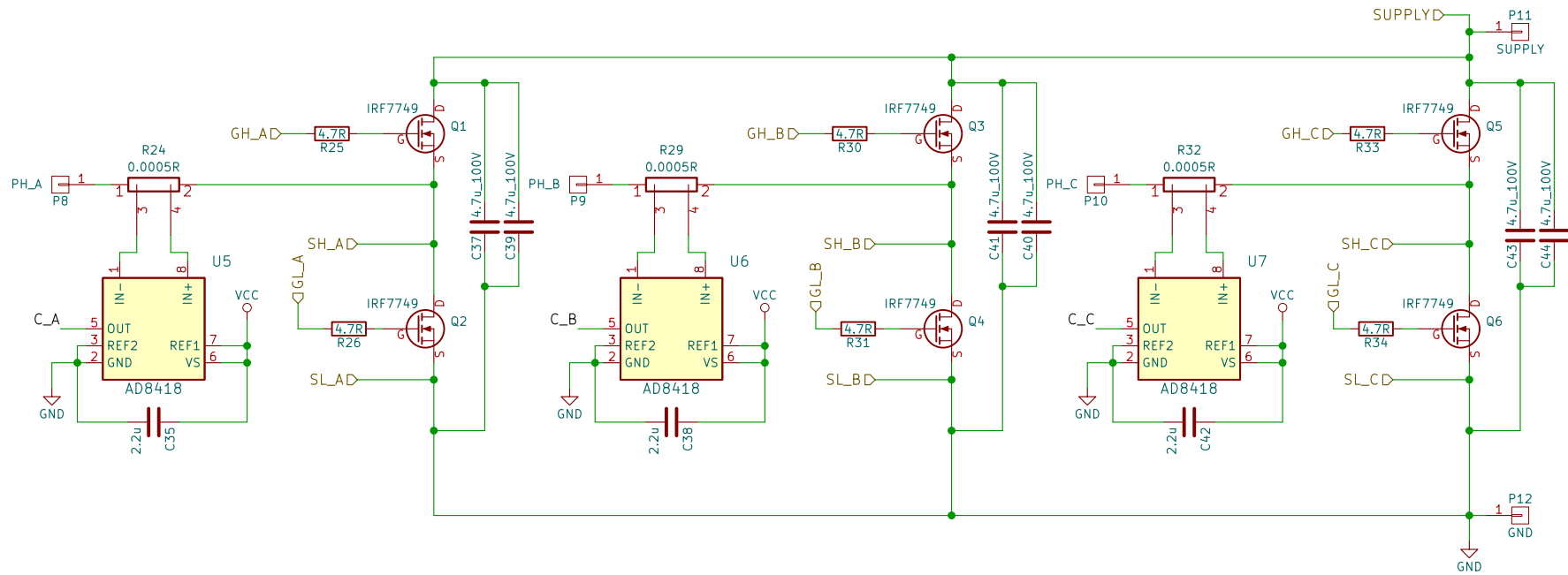
Size: A4

Date: 2019-10-16

Rev: c

KiCad E.D.A. kicad 5.99.0-unknown-59527dff2106ubuntu20.04.1

Id: 5/6



Benjamin Vedder

Sheet: /Power/
File: Power.kicad_sch

Title: VESC 6 MK5

Size: A4 Date: 2019-10-16

KiCad E.D.A. kicad 5.99.0-unknown-59527dff2106ubuntu20.04.1

Rev: c

Id: 6/6