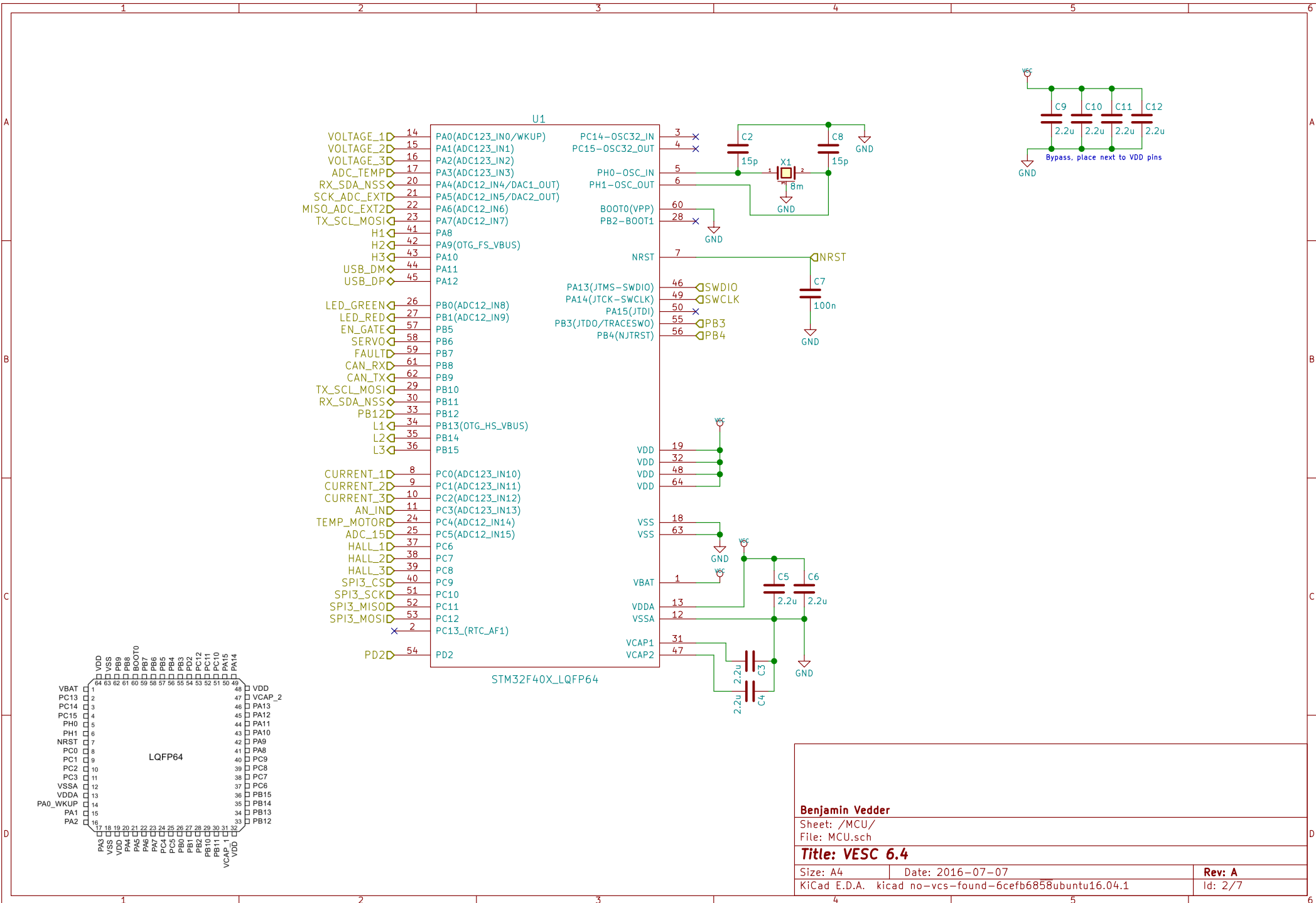
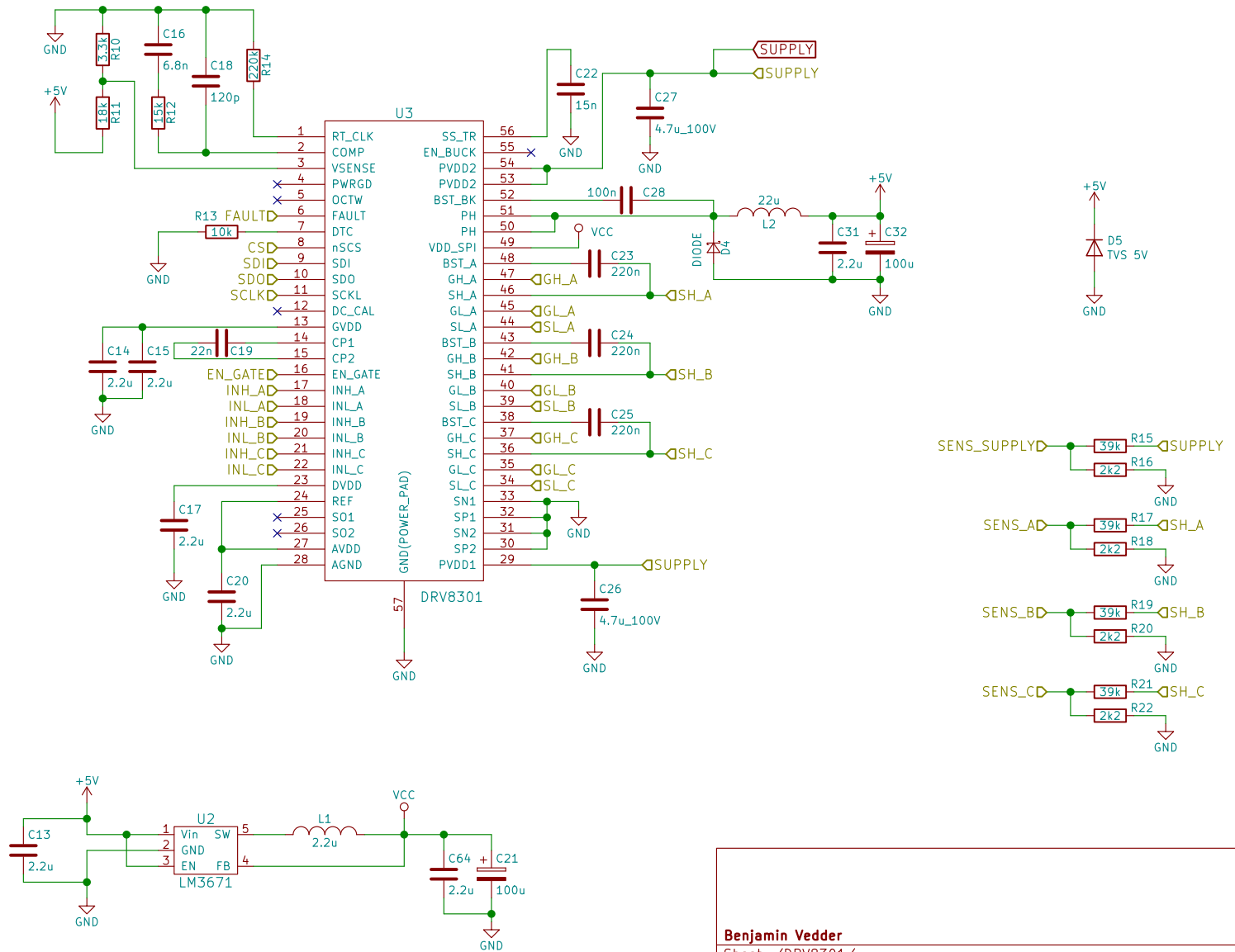


- PWR_FLAG ◊ — SUPPLY
- PWR_FLAG ◊ —> +5V
- PWR_FLAG ◊ —○ VCC
- PWR_FLAG ◊ —▷ GND

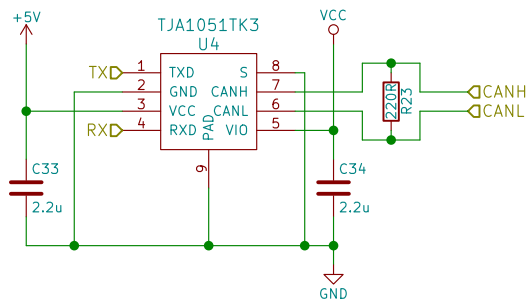
Benjamin Vedder	
Sheet: /	
File: VESC_6.sch	
Title: VESC 6.4	
Size: A4	Date: 2016-11-13
KiCad E.D.A. kicad no-vcs-found-6cefb6858ubuntu16.04.1	Rev: A
	Id: 1/7



Benjamin Vedder	
Sheet: /MCU/	
File: MCU.sch	
Title: VESC 6.4	
Size: A4	Date: 2016-07-07
KiCad E.D.A. kicad no-vcs-found-6cefb6858ubuntu16.04.1	Rev: A
	Id: 2/7



Benjamin Vedder
 Sheet: /DRV8301/
 File: DRV8301.sch
Title: VESC 6.4
 Size: A4 Date: 2016-07-07 Rev: A
 KiCad E.D.A. kicad no-vcs-found-6cefb6858ubuntu16.04.1 Id: 3/7



Benjamin Vedder

Sheet: /CAN/

File: CAN.sch

Title: VESC 6.4

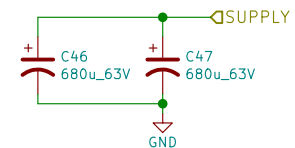
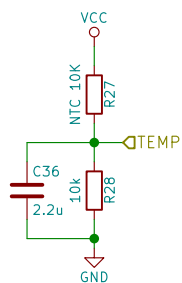
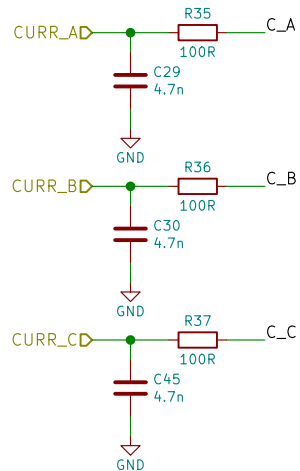
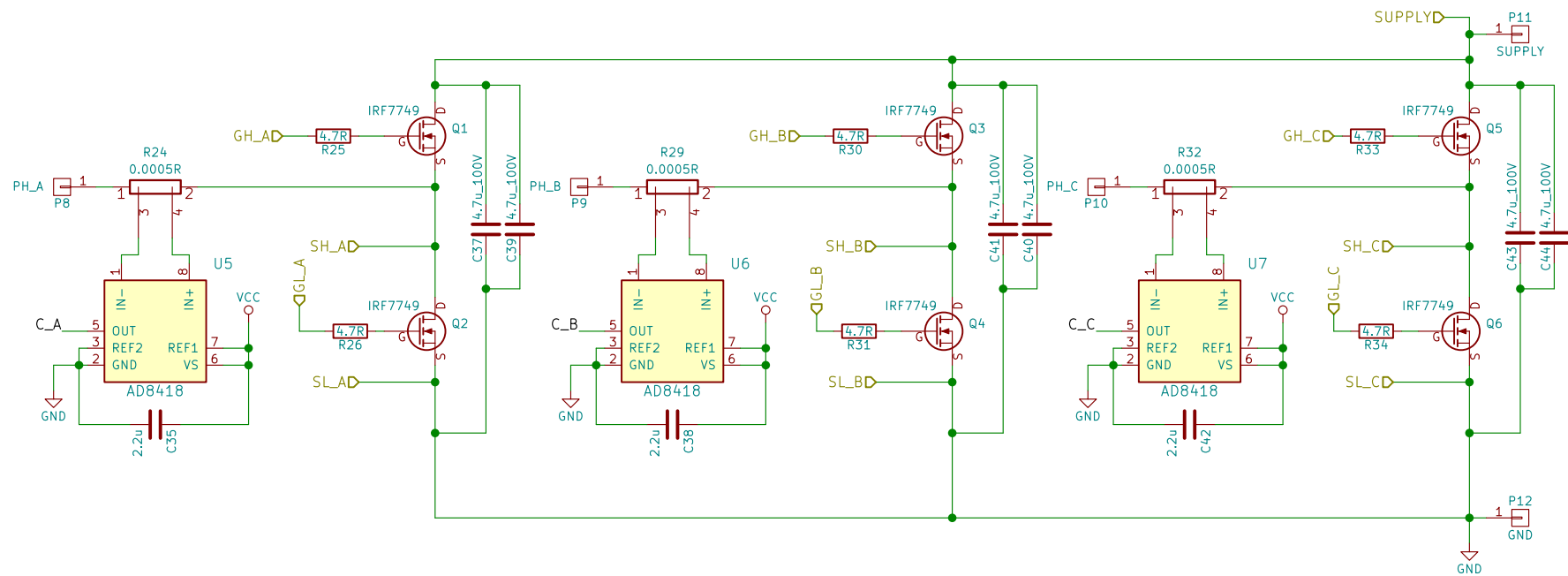
Size: A4

Date: 2016-07-07

Rev: A

KiCad E.D.A. kicad no-vcs-found-6cefb6858ubuntu16.04.1

Id: 4/7



Benjamin Vedder

Sheet: /Power/
File: Power.sch

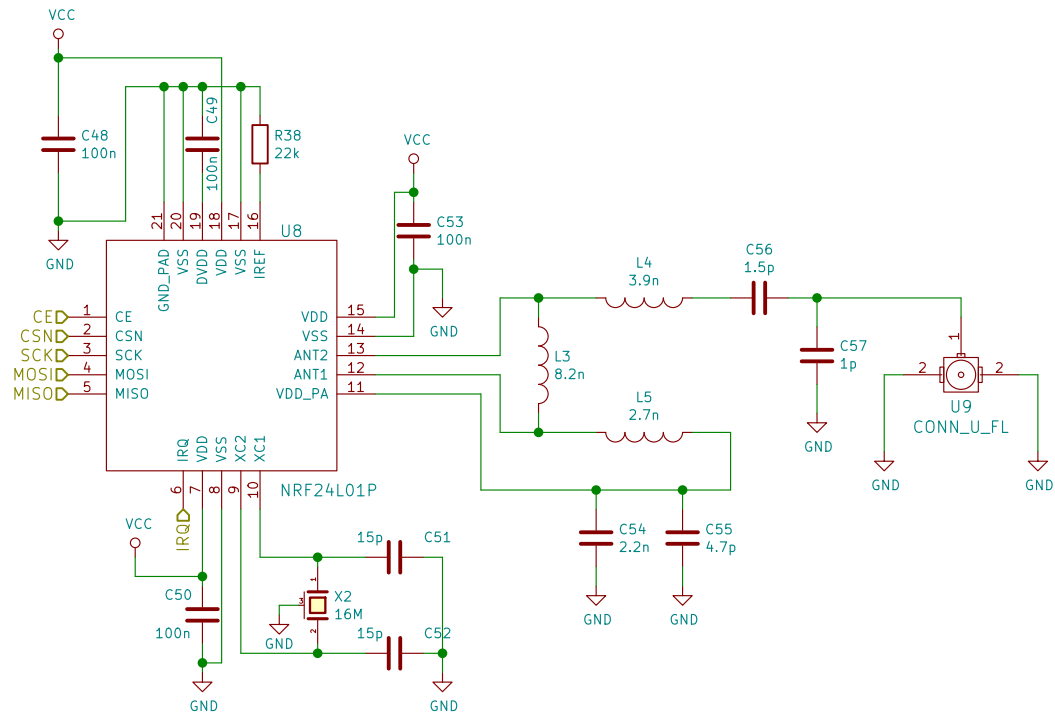
Title: VESC 6.4

Size: A4 Date: 2016-07-07

KiCad E.D.A. kicad no-vcs-found-6cefb6858ubuntu16.04.1

Rev: A

Id: 5/7



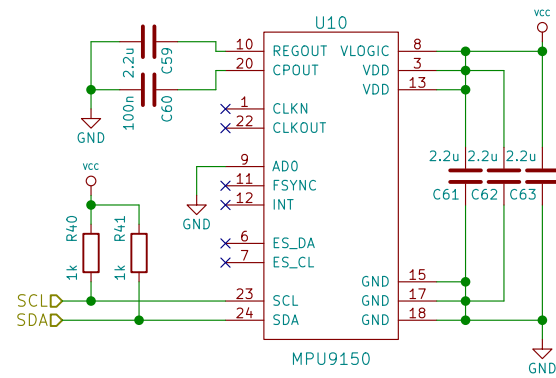
Benjamin Vedder

Sheet: /nrf/
File: nrf.sch

Title: VESC 6.4

Size: A4 Date: 2016-07-07
KiCad E.D.A. kicad no-vcs-found-6cefb6858ubuntu16.04.1

Rev: A
Id: 6/7



Benjamin Vedder

Sheet: /MPU9150/
File: mpu9150.sch

Title: VESC 6.4

Size: A4 Date: 2016-07-07
KiCad E.D.A. kicad no-vcs-found-6cefb6858ubuntu16.04.1

Rev: A
Id: 777